
特性 Characteristic

- 超小型继电器 Microminiature relay.
- 高灵敏度: 150mW 线圈功率 High sensitive: 150mW.

安规认证 Safety Approval: UL,C-UL,CQC,TUV

订货标记 Ordering Information

| 型号命名规则 Model Naming Rules | | | | | | |
|---|-----|-----|---|---|----|-----|
| DED-23F | -DC | 12V | L | 1 | -F | S X |
| 特殊参数: 无: 标准型 Special Parameters: Blank: Standard type | | | | | | |
| 封装方式: S: 塑封型 SH: 防水型 Enclosure Type: S: Plastic sealed type, SH: Sealed type washable | | | | | | |
| 绝缘等级: 无: 普通型, B: 等级 B, F: 等级 F Insulation System: Blank: Standard type, B: Class B, F: Class F | | | | | | |
| 触点组数: 1: 1组 Number Of Poles: 1: Single pole | | | | | | |
| 线圈功耗: D: 0.20W, L: 0.15W Coil Power: D: 0.20W, L: 0.15W | | | | | | |
| 线圈电压: 3V, 5V, 6V, 9V, 12V, 24V Coil Voltage: 3V, 5V, 6V, 9V, 12V, 24V | | | | | | |
| 线圈性质: DC: 直流 Coil Type: DC: Direct current | | | | | | |
| 产品型号: DED-23F Model: DED-23F | | | | | | |

线圈参数 Coil Data (at 20°C)

| 额定电压 Rated Voltage (VDC) | 额定电流 Rated Current ±10% (mA) | 线圈电阻 Coil Resistance ±10% (Ω) | 最大连续外加电压 Max. Continuous Voltage Applied | 吸合电压 Pick Up Voltage (Max.) | 释放电压 Drop Out Voltage (Min.) | 额定功率 Power Consumption At Rated Voltage |
|--------------------------------|------------------------------------|-------------------------------------|--|-------------------------------------|------------------------------------|---|
| 3 | 50.00 | 60 | 额定电压的140% 140% of rated voltage | 额定电压的75% 75% of rated voltage | 额定电压的5% 5% of rated voltage | 约 Approximately 0.15W |
| 5 | 30.00 | 166.7 | | | | |
| 6 | 25.00 | 240 | | | | |
| 9 | 16.67 | 540 | | | | |
| 12 | 12.50 | 960 | | | | |
| 24 | 6.25 | 3,840 | 额定电压的115% 115% of rated voltage | 额定电压的75% 75% of rated voltage | 额定电压的5% 5% of rated voltage | 约 Approximately 0.20W |
| 3 | 66.67 | 45 | | | | |
| 5 | 40.00 | 125 | | | | |
| 6 | 33.33 | 180 | | | | |
| 9 | 22.22 | 405 | | | | |
| 12 | 16.67 | 720 | | | | |
| 24 | 8.33 | 2,880 | | | | |

触点负载 Contact Rating

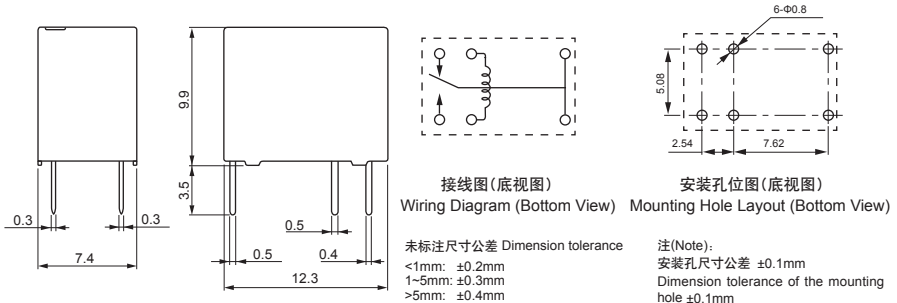
| | |
|-------------------------------|-----------|
| 型号 Model | DED-23F |
| 阻性负载 Resistive Load | 1A 125VAC |
| 最大切换电流 Max. Switching Current | 1A |
| 最大切换电压 Max. Switching Voltage | 125VAC |
| 最大切换功率 Max. Switching Power | 125VA |

规格说明 Specification

| | | |
|----------------------------|--|---|
| 触点材料 Contact Material | 银合金 Ag Alloy | |
| 接触电阻 Contact Resistance | 100mΩ Max. | |
| 吸合时间 Operate Time | 5ms. Max. | |
| 释放时间 Release Time | 5ms. Max. | |
| 绝缘电阻 Insulation Resistance | 100MΩ Min.(DC500V) | |
| 介质耐压 Dielectric Strength | 触点与触点间 Between open contact: AC500V, 50/60Hz 1min. | |
| | 线圈与触点间 Between coil and contact: AC1,000V, 50/60Hz 1min. | |
| 抗振动 Vibration Resistance | 耐久 Endurance | 10~55Hz, 双振幅 1.5 mm 10~55Hz, 1.5 mm double amplitude |
| | 误动作 Misoperation | 10~55Hz, 双振幅 1.5 mm 10~55Hz, 1.5 mm double amplitude |
| 抗冲击 Shock Resistance | 耐久 Endurance | 10g Min. |
| | 误动作 Misoperation | 50g Min. |
| 寿命 Life | 机械寿命 Mechanical Life | 10,000,000 operations |
| | 电气寿命 Electrical Life | 100,000 operations |
| 环境温度 Ambient Temperature | -30°C~+70°C | |
| 重量 Weight | 约 Approx. 2.2g | |

外形尺寸、接线、安装孔位图(mm)

Outline Dimensions, Wiring Diagram, Mounting Hole Layout (mm)



典型用途 Typical Applications

- 自动控制 Automatic control.
- 调制解调器、电脑周边设备 Modem, computer peripheral device.
- 通讯设备 Telecommunication equipment.

性能曲线图 Performance Curves

