



特性 Characteristic

- 最大切换容量为70A. Switching capability: 70A.
- 具有一组常开, 一组常闭, 一组转换, 二组常开 触点形式
1 Form A, 1 Form B and 1 Form C and 2 Form AU contact configuration available.
- 可并联电阻或二极管使用 Resistance or diode paralleled type available.

订货标记 Ordering Information

型号命名规则 Model Naming Rules									
DEX5	-DC	12V	D	F	1	R	-A	X	
特殊参数: 无: 标准型 Special Parameters: Blank: Standard type									
触点形式: A: 常开型, B: 常闭型, C: 转换型, D: 二组常开型 Contact Form: A: Form A, B: Form B, C: Form C, D: 2 Form AU									
配件形式: 无: 标准型, D: 带二极管, R: 带电阻 Accessory Form: Blank: without accessory, D: With diode, R: With resistance									
触点组数: 1: 1组 Number of Poles: 1: Single pole									
外壳形式: 无: 普通型, F: 塑胶靠背型, S: 铁制靠背型 Cover Type: Blank: Without bracket, F: Plactic bracket type, S: Steel bracket type									
线圈功耗: D: 1.40W, H: 1.80W, L: 0.20W Coil Power: D: 1.40W, H: 1.80W, L: 0.20W									
线圈电压: 12V, 24V Coil Voltage: 12V, 24V									
线圈性质: DC: 直流 Coil Type: DC: Direct current									
产品型号: DEX5 Model: DEX5									

线圈参数 Coil Data (at 20°C)

额定电压 Rated Voltage (VDC)	额定电流 Rated Current ±10% (mA)	线圈电阻 Coil Resistance ±10% (Ω)	并联电阻 Parallel Resistance (Ω)	等效电阻 Equivalent Resistance (Ω)	吸合电压 Pick Up Voltage (Max.)	释放电压 Drop Out Voltage (Min.)	最大允许电压 Max. Permissible Voltage	额定功率 Power Consumption At Rated Voltage
12	116.5	103.00	680	89.5	额定电压的70% 70% of rated voltage	额定电压的10% 10% of rated voltage	额定电压的130% 130% of rated voltage	1.40W (40A)
24	75.00	320.00	2,700	286				1.80W (40A)
12	166.67	72.00	---	---	额定电压的70% 70% of rated voltage	额定电压的10% 10% of rated voltage	额定电压的130% 130% of rated voltage	2.0W (70A)
24	83.33	288.00	---	---				

触点负载 Contact Rating

型号 Model	DEX5
阻性负载 Resistive Load	70A 14VDC
最大切换电流 Max. Switching Current	70A
最大切换电压 Max. Switching Voltage	32VDC
最大切换功率 Max. Switching Power	980W

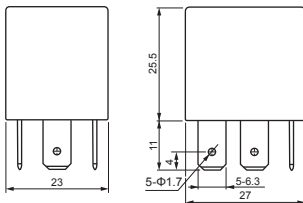
规格说明 Specification

触点材料 Contact Material	银合金 Ag Alloy	
接触电阻 Contact Resistance	50mΩ Max.	
吸合时间 Operate Time	15ms. Max.	
释放时间 Release Time	15ms. Max.	
绝缘电阻 Insulation Resistance	100MΩ Min.(DC500V)	
介质耐压 Dielectric Strength	触点与触点间 Between open contact: AC500V, 50/60Hz 1min.	
	线圈与触点间 Between coil and contact: AC500V, 50/60Hz 1min.	
抗振动 Vibration Resistance	耐久 Endurance	10~55Hz, 双振幅 1.5 mm 10~55Hz, 1.5 mm double amplitude
	误动作 Misoperation	10~55Hz, 双振幅 1.5 mm 10~55Hz, 1.5 mm double amplitude
抗冲击 Shock Resistance	耐久 Endurance	10g Min.
	误动作 Misoperation	100g Min.
寿命 Life	机械寿命 Mechanical Life	10,000,000 operations
	电气寿命 Electrical Life	100,000 operations
环境温度 Ambient Temperature	-40°C~+125°C	
重量 Weight	约 Approx. 33.0g	

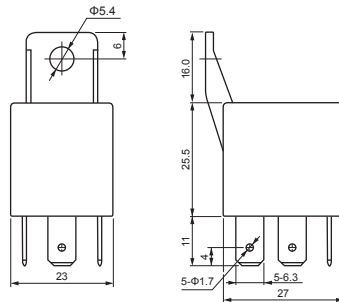
外形尺寸、接线、安装孔位图(mm)

Outline Dimensions, Wiring Diagram, Mounting Hole Layout (mm)

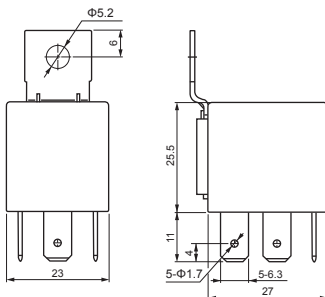
标准型 Without bracket type



塑胶靠背型 Plactic bracket type



铁制靠背型 Steel bracket type



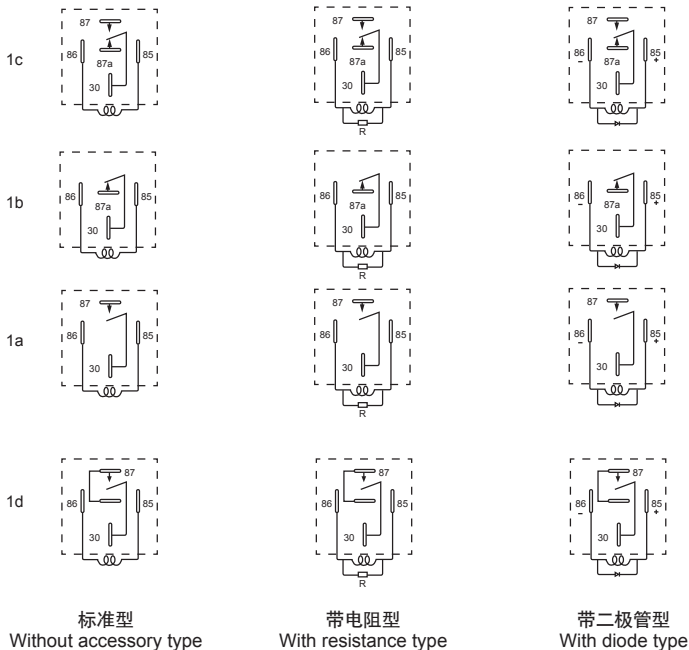
未标注尺寸公差 Dimension tolerance

<1mm: ±0.2mm
1~5mm: ±0.3mm
>5mm: ±0.4mm

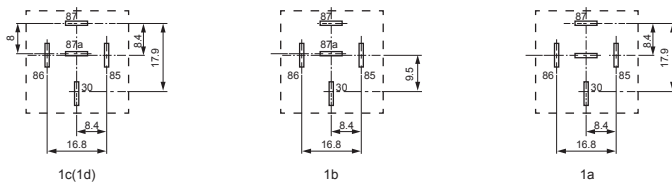
注(Note):

安装孔尺寸公差 ±0.1mm

Dimension tolerance of the mounting hole ±0.1mm



接线图(底视图) Wiring Diagram (Bottom View)



安装孔位图(底视图) Mounting Hole Layout (Bottom View)

典型用途 Typical Applications

- 汽车控制装置等 Automotive control device, etc.