


特性 Characteristic

- 大容量, 可切换40安培电流 High switching capability 40A.
- 可提供标准触点形式有: 一组常开, 一组常闭, 一组转换, 二组常开
 1 Form A, 1 Form B, 1 Form C and 2 Form A contact configuration available.
- 产品引出端为快接端子 Quick connect terminal.

订货标记 Ordering Information

型号命名规则 Model Naming Rules									
DEDL	-DC	12V	D	F	1	R	-A	X	特殊参数: 无: 标准型 Special Parameters: Blank: Standard type
									触点形式: A: 常开型, B: 常闭型, C: 转换型 Contact Form: A: Form A, B: Form B, C: Form C
									配件形式: 无: 标准型, D: 带二极管, R: 带电阻 Accessory Form: Blank: Without accessory, D: With diode, R: With resistance
									触点组数: 1: 1组, 2: 2组(仅Form A) Number of Poles: 1: Single pole, 2: Double poles(Form A only)
									外壳形式: 无: 普通型, F: 外壳带靠背 Cover Type: Blank: Without bracket, F: With bracket
									线圈功耗: D: 1.80W, H: 2.0W Coil Power: D: 1.80W, H: 2.0W
									线圈电压: 5V, 6V, 9V, 12V, 18V, 24V Coil Voltage: 5V, 6V, 9V, 12V, 18V, 24V
									线圈性质: DC: 直流 Coil Type: DC: Direct current
									产品型号: DEDL Model: DEDL

线圈参数 Coil Data (at 20°C)

额定电压 Rated Voltage (VDC)	额定电流 Rated Current ±10% (mA)	线圈电阻 Coil Resistance ±10% (Ω)	并联电阻 Parallel Resistance (Ω)	等效电阻 Equivalent Resistance (Ω)	吸合电压 Pick Up Voltage (Max.)	释放电压 Drop Out Voltage (Min.)	最大允许电压 Max. Permissible Voltage	线圈功率 Coil Power (W)
5	360.00	13.9	---	---	额定电压的70% 70% of rated voltage	额定电压的10% 10% of rated voltage	额定电压的150% 150% of rated voltage	约 Approximately 1.80W
6	300.00	20	---	---				
9	200.00	45	---	---				
12	150.00	80	---	---				
18	100.00	180	---	---				
24	75.00	320	---	---				
12	166.67	72	680	65.1	约 Approximately 2.0W			
24	83.33	288	2,700	260.2				

触点负载 Contact Rating

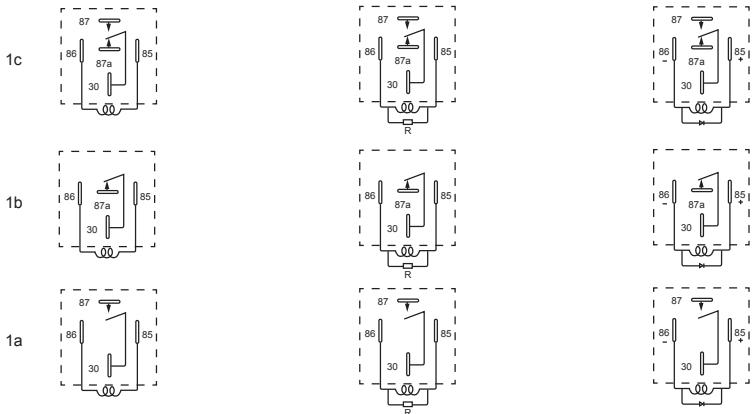
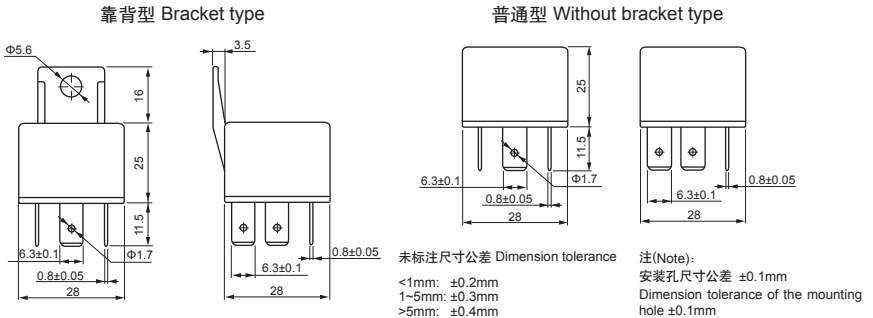
型号 Model	DEDL-A	DEDL-C
阻性负载 Resistive Load	40A 14VDC	NO: 40A 14VDC NC: 30A 14VDC
最大切换电流 Max. Switching Current	40A	40A
最大切换电压 Max. Switching Voltage	30VDC	30VDC
最大切换功率 Max. Switching Power	560W	560W

规格说明 Specification

触点材料 Contact Material	银合金 Ag Alloy	
接触电阻 Contact Resistance	50mΩ Max.	
吸合时间 Operate Time	10ms. Max.	
释放时间 Release Time	5ms. Max.	
绝缘电阻 Insulation Resistance	100MΩ Min.(DC500V)	
介电耐压 Dielectric Strength	触点与触点间 Between open contact: AC500V, 50/60Hz 1min.	
	线圈与触点间 Between coil and contact: AC500V, 50/60Hz 1min.	
抗振动 Vibration Resistance	耐久 Endurance	10~55Hz, 双振幅 1.5 mm 10~55Hz, 1.5 mm double amplitude
	误动作 Misoperation	10~55Hz, 双振幅 1.5 mm 10~55Hz, 1.5 mm double amplitude
抗冲击 Shock Resistance	耐久 Endurance	20g Min.
	误动作 Misoperation	100g Min.
寿命 Life	机械寿命 Mechanical Life	10,000,000 operations
	电气寿命 Electrical Life	100,000 operations
环境温度 Ambient Temperature	-40°C~+125°C	
重量 Weight	约 Approx. 32.5g	

外形尺寸、接线、安装孔位图(mm)

Outline Dimensions, Wiring Diagram, Mounting Hole Layout (mm)

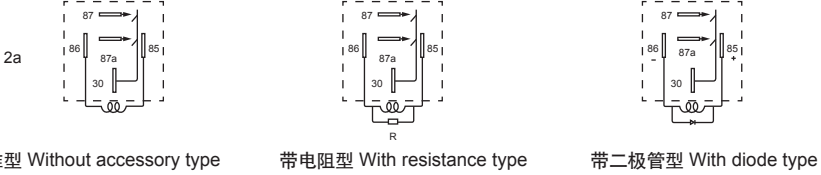


标准型 Without accessory type

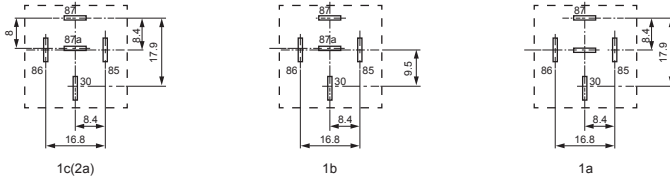
带电阻型 With resistance type

带二极管型 With diode type

接线图(底视图) Wiring Diagram (Bottom View)



接线图(底视图) Wiring Diagram (Bottom View)



安装孔位图(底视图) Mounting Hole Layout (Bottom View)

典型用途 Typical Applications

- 汽车控制装置等 Automotive control device, etc.

性能曲线图 Performance Curves

